

SMALL, COMPACT AND STILL GREAT – FLEXIBILITY IN THE SMALLEST ROOM

FOR SLICING SAUSAGES AND CHEESE.

COMPACT
SLICER

The new Compact Slicer MHS is characterized by its compact design. With 2 separate motors one rotor and one blade. Due to this combination the important ratio between blade and rotor can be adapted for each product.

Let yourself be convinced by good arguments!

SLICES

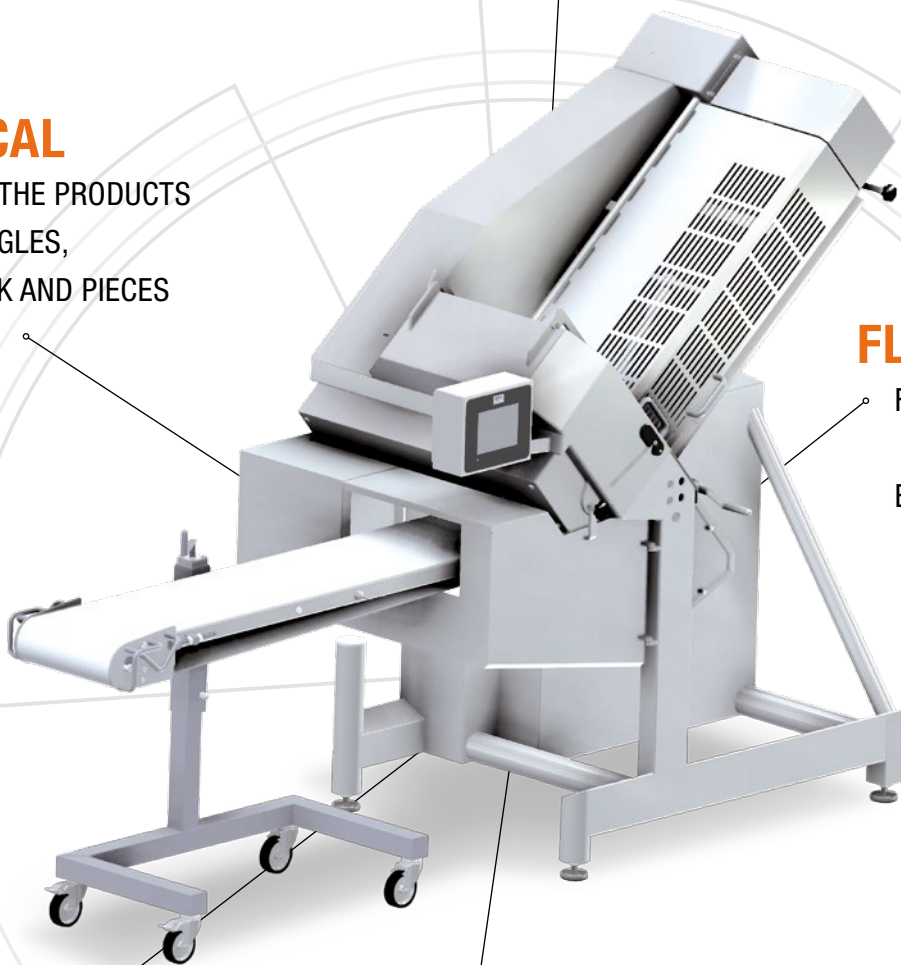
SAUSAGES AND CHEESE WITH
THE OPTIMUM CUTTING RESULTS

PRACTICAL

REMOVING THE PRODUCTS
AS SHINGLES,
STACK AND PIECES

FLEXIBLE

FLEXIBILITY BY USE
OF A MOTOR FOR
EACH CIRCULAR BLADE
AND THE ROTOR



FAST

UP TO 400
ROTOR REVOLUTIONS
PER MINUTE

SOPHISTICATED

PRODUCT SUPPORT AND
CUTTING FRAME ADJUSTABLE



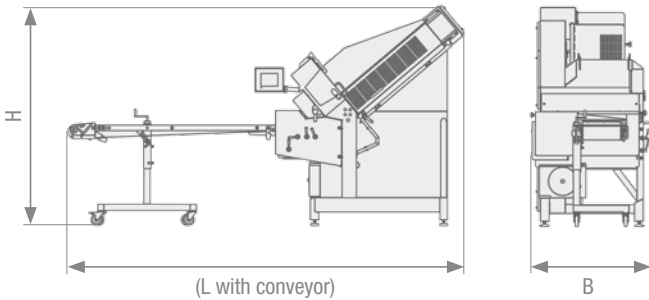
COMPACT SLICER

Compact Slicer	
Max. input length mm	750
Cross section mm (WxH)	300 x 150
Dimensions mm (LxWxH) (L with conveyor)	1714 x 1085 x 1986 (3595 with portioning belt combination) (2997 with conveyor)
Connection (other voltage on request)	400 V / 6 kW
Weight kg	720
Performance single blade slices/minute	60 - 400
Slice thickness mm	0,5 - 50



SIZE WORK

Our machines are planned and produced by professionals.



PRODUCTIVITY

- ▶ Up to 400 revolutions/minute
- ▶ Large cutting area of 300 x 150 mm
- ▶ Deposition as a stack, shingle and pieces
- ▶ No reduction in the cutting performance by using the portioning belt combination



HANDLING

- ▶ The open design allows for extremely easy access for cleaning
- ▶ Cutting frame and hook removed without tools
- ▶ No warm surfaces within reach of the operator
- ▶ No conversion necessary for product changes



SLICING RESULT

- ▶ Optimum cutting results by adjustability of the ratio between blade and rotor
- ▶ Adjustable product support and cutting frame for optimal cutting position
- ▶ Balanced cutting system for best cutting results even at high speeds



VERSATILITY

- ▶ Variable used by 2-engined blade drive for cutting a variety of products
- ▶ Retrofit possibilities such as portioning belt combination for stacking, shingles, ziczac stacks, fluff portion, folding over or make group of pieces at full power
- ▶ Interleaver
- ▶ Needs only electricity, no air

optional
▲
standard
▲

Status 04/2013 · Subject to technical changes

