

www.akbyramon.com

C/ Rafael Riera Prats, 49
08339 Vilassar de Dalt
Barcelona - Spain
Tel. (+34) 937.531.311

ak



SEALING LINE

VAC LINE

FOOD PROCESSING LINE



HORIZONTAL MIXER AK-RAMON AMM-150 H



GENERAL CHARACTERISTICS

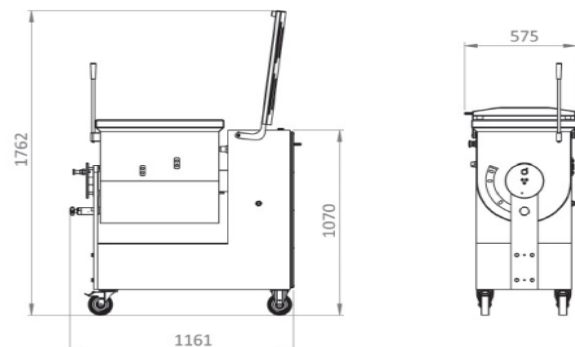
- Totally manufactured in AISI 304 stainless steel.
- 150 liters capacity.
- T form of the arm.
- Arm easily removable for cleaning.
- High resistance and silent Gearbox mechanism
- Equipped with wheels for easy movement
- Discharge button.
- Double direction of rotation.
- No maintenance required.
- Net weight : 175 kg.



TECHNICAL INFORMATION

	AMM-150 H
Bowl capacity in Liters	150
Bowl capacity in Kg	± 110
Three-phase motor power HP/Kw	2/1.5
Packaging dimensions (mm)	1200x830x1220
Net/gross weight (Kg)	175/205

DIMENSIONS IN MM



C/RAFAEL RIERA PRATS, 49. 08339 VILASSAR DE DALT – BARCELONA -SPAIN
+34. 937.531.311

www.akbyramon.com

info@akbyramon.com